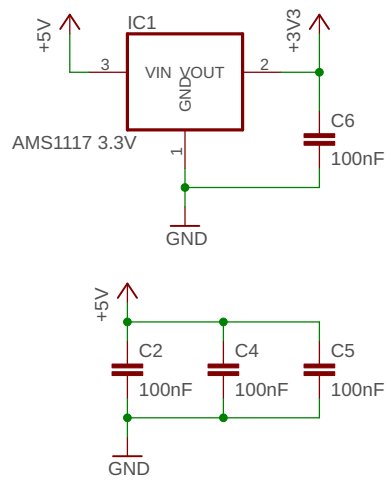
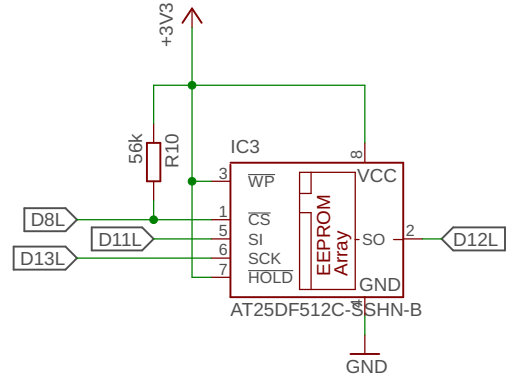


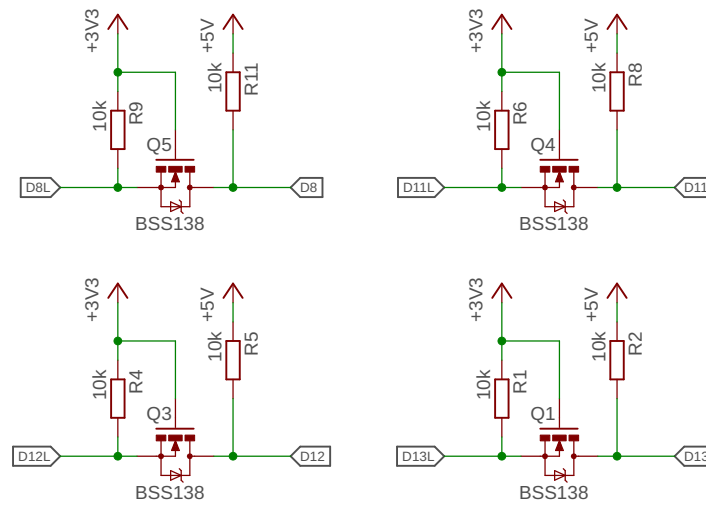
Power



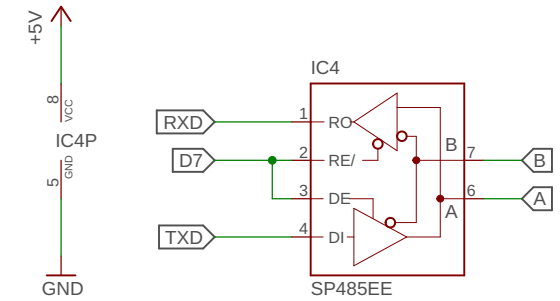
OTA



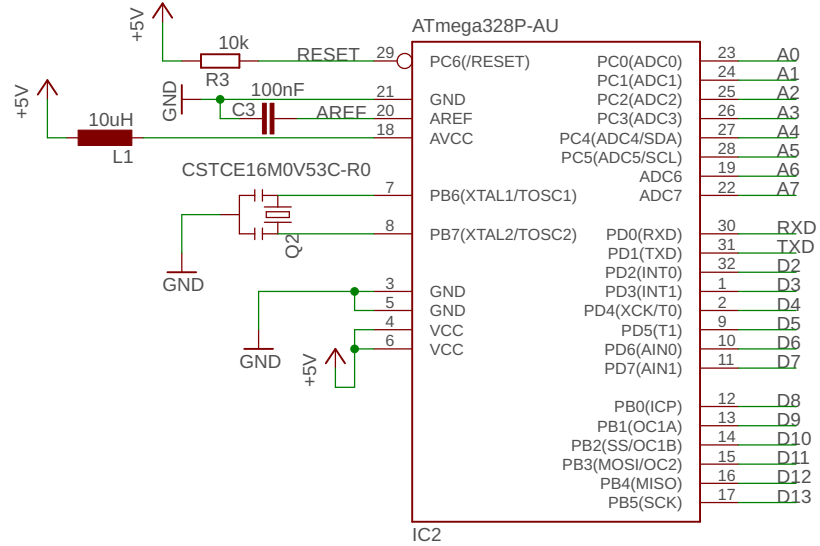
Logic Level Converter



RS485



ATmega328p



I/O

